

VLC856 Series

Subminiature Compression Load Cells

[Request a Quote](#)

Description

VLC856 Series load cells are subminiature sized compression load cells designed specifically for applications requiring very small size, very little mass and rugged construction. Designed of welded stainless steel, these bonded foil strain gaged force sensors provide reliable performance for demanding application conditions. VLC856 Series load cells come with a load button machined as an integral part of the sensing element. Additional features include shock and vibration protection.

VLC856 Series load cells are ideal for applications involving pharmaceutical presses, non-invasive fluid fill systems, and physical therapy devices. Each unit is shipped with a 5 point calibration record traceable to NIST as standard.

Standard Features

- Small Size
- 0.50% FSO Accuracy
- Compression
- 2 mV/V Output
- Welded Stainless Steel
- -40°F to 250°F Operating Temperature
- Shock and Vibration Resistant
- 5 Point Calibration Record Traceable to NIST



Select ranges in stock



Shown (above) actual size

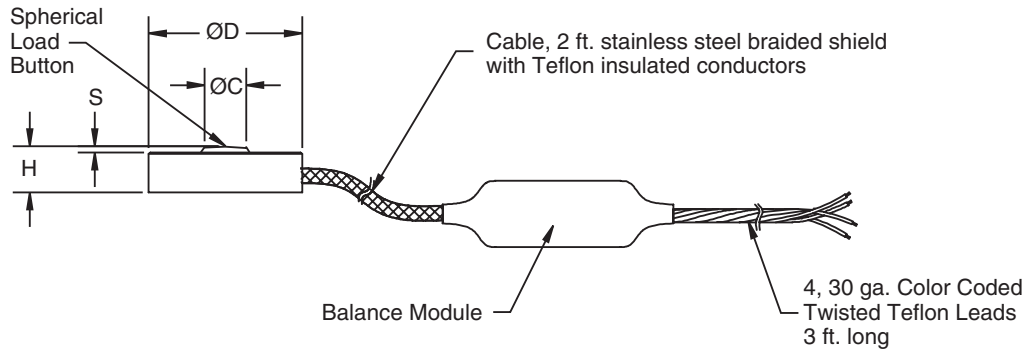


Optional Features

- Special Calibration
- Special Full Scale Ranges
- Customer Specified Cable Lengths
- -65°F to +400°F Temperature Ranges

LORD DATA SHEET

DIMENSIONS (inches)



Capacity (lbs)	ØOD	ØOC	H	S
10, 25, 50	0.38	0.08	0.13	0.02
100, 250	0.50	0.13	0.15	0.02
500, 1000	0.75	0.28	0.25	0.02

PERFORMANCE

Standard Ranges

(Ranges in Bold Type are available in stock)
10, 25, 50, 100, 250, 500, 1000 lbs

Output

2 mV/V nominal

Accuracy

0.50% FSO BFSL

Temperature Effect on Zero

0.01% FSO/°F

Temperature Effect on Span

0.01% Reading/°F

Zero Balance

3% FSO

ENVIRONMENTAL CHARACTERISTICS

Compensated Temperature Range

70°F to 170°F (-65°F to +400°F optional)

Operating Temperature Range

-40°F to +250°F (-65°F to +400°F optional)

MECHANICAL CHARACTERISTICS

Standard Calibration

5 points (0, 50%, 100%, 50%, 0) Compression

Static Overload Without Damage

150% FSO

Material

Welded Stainless Steel

ELECTRICAL CHARACTERISTICS

Bridge Resistance

350 ohms nominal

Excitation

5 Vdc or Vac

Insulation Resistance

> 5000 megohms at 50 Vdc

Electrical Termination

Refer to dimensional drawing (above)

Wiring

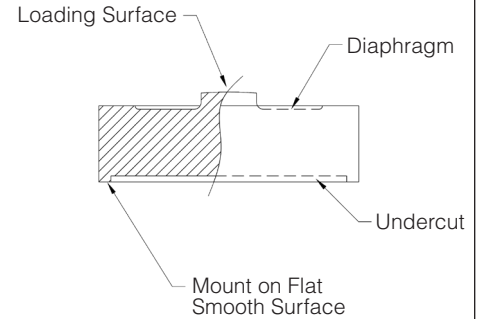
Red (+) Excitation

Black (-) Excitation

Green (-) Signal

White (+) Signal

Customer specified wiring codes available.



INSTALLATION NOTES

CAUTION - Do not load on diaphragm. Only load on loading surface (spherical button). Damage and/or false readings may occur if the diaphragm is loaded.

CAUTION - Do not overload. Low capacity load cells may be damaged if squeezed or handled incorrectly.

CAUTION - Do not let glue or other debris accumulate or be contained in the undercut area as this will result in incorrect readings and/or load cell failure.

For best results, load cells should be mounted on a flat, smooth surface.

Values stated in this technical data sheet represent typical values as not all tests are run on each lot of material produced. For formalized product specifications for specific product end uses, contact the Customer Support Center.

Information provided herein is based upon tests believed to be reliable. In as much as LORD Corporation has no control over the manner in which others may use this information, it does not guarantee the results to be obtained. In addition, LORD Corporation does not guarantee the performance of the product or the results obtained from the use of the product or this information where the product has been repackaged by any third party, including but not limited to any product end-user. Nor does the company make any express or implied warranty of merchantability or fitness for a particular purpose concerning the effects or results of such use.

LORD Corporation

World Headquarters

111 Lord Drive
 Cary, NC 27511-7923
 USA

Customer Support Center (in United States & Canada)

+1 877 ASK LORD (275 5673)

www.lord.com

For a listing of our worldwide locations, visit LORD.com.

LORD Sensing Stellar Technology

237 Commerce Drive
 Amherst, NY 14228 • USA
 Tel: 716.250.1900 • Fax: 716.250.1909

www.stellartech.com

Email: stellar_sales@lord.com

ISO 9001/AS9100

LORD SENSING
 Stellar Technology