



ISO 9001/AS9100 Certified

# PNC760

FATIGUE RATED, PRECISION PANCAKE LOAD CELL

YOUR ENGINEERED SOLUTION SOURCE <sup>SM</sup>



Shown with optional base

## DESCRIPTION

The Series PNC760 load cells are fatigue rated low profile “pan cake” configurations for both tension and compression applications.

These force sensors incorporate a threaded-through center hole. The PNC760 combines high accuracy with very low off-axis sensitivity. PNC760 series is constructed of painted high strength alloy steel. Bolted-on stainless steel electrical connectors with O-ring seals and gold plated pins are standard. The PNC760 can be specified with an optional base plate which increases both rigidity and mounting flexibility. Additional features include shock and vibration protection.

Each unit is shipped with a 5 point calibration record traceable to NIST as standard.

## STANDARD FEATURES

- 0.05% FSO Accuracy
- Fatigue Rated (100 Million Cycle Life)
- Tension and Compression
- Low Profile Design
- 2 mV/V Output
- -65°F to +250°F Operating Temperature
- High Strength Alloy Steel
- 0.25% Off-Axis Sensitivity
- Barometrically Compensated
- Shock and Vibration Resistant
- 5 Point Calibration Record Traceable to NIST

## OPTIONAL FEATURES

- Customer Specified Threaded Center Hole
- Customer Specified Electrical Termination
- Overload Stops
- Metric Versions
- -320°F to +400°F Operating Temperature
- Special Calibrations
- Internal Amplifier for High Level Analog and/or Digital Output
- Dual Bridges

## PERFORMANCE

### STANDARD RANGES

250, 500, 1000, 2500, 5000 lbs.

### OUTPUT

2 mV/V nominal.

### ACCURACY

0.05% FSO BFUL.

### TEMPERATURE EFFECT ON ZERO

0.002% FSO/°F.

### TEMPERATURE EFFECT ON SPAN

0.002% Reading/°F.

### CREEP, IN 30 MIN

0.025% Load.

### OFF-AXIS SENSITIVITY

0.25% FSO for combined induced side load & bending.

### ZERO BALANCE

1% FSO.

## ENVIRONMENTAL CHARACTERISTICS

### OPERATING TEMPERATURE RANGE

-65°F to 250°F.  
(-320°F to 400°F optional.)

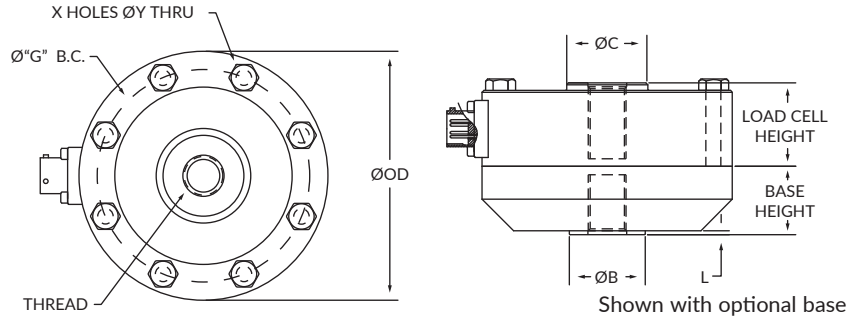
### COMPENSATED TEMPERATURE RANGE

15°F to 115°F.  
(-65°F to 400°F optional.)



A US Manufacturer of: Pressure, Temperature, Load/Force/Torque, and Displacement Sensors.

(See Series PNC740 for stainless steel version)



CAPACITY (LBS)	ØOD	THREAD	HEIGHT	X	ØY	ØG	ØC	BASE HEIGHT	ØB
250,500,1000	4.13	5/8-18UNF	1.38	8	0.28	3.50	1.34	1.13	1.25
2.5K,5K	4.13	5/8-18UNF	1.38	8	0.28	3.50	1.34	1.13	1.25

### MECHANICAL CHARACTERISTICS

#### STATIC OVERLOAD WITHOUT DAMAGE

200% Range.

#### CALIBRATION

Standard calibration is 5 pts (0, 50%, 100%, 50%, 0 of Range) tension and compression.

#### MATERIAL

Environmentally sealed and painted high strength alloy steel.

### ELECTRICAL CHARACTERISTICS

#### BRIDGE RESISTANCE

350 or 700 Ohms nominal.

#### EXCITATION

10 Vdc or Vac.

#### MAXIMUM EXCITATION

20 Vdc or Vac.

#### INSULATION RESISTANCE

Greater than 5000 megohms at 50 Vdc.

#### ELECTRICAL TERMINATION

PTIH-10-6P, Stainless steel with Gold Plated Pins.

### ELECTRICAL CHARACTERISTICS

#### CONNECTOR PINS (STANDARD)

A	+EXE	D	-EXE
B	+SIG	E	N/C
C	-SIG	F	N/C

Customer specified wiring codes are available.

#### MODIFICATIONS AND WARRANTY

MODIFICATIONS: We realize transducer applications vary greatly and as such our designs are flexible. Choice of pressure port, electrical termination, material compatibility and performance characteristics are a few of the many options available. Specifications on this datasheet represent the standard configuration only. Product and company names listed are trademarks of their respective companies. Specifications subject to change without notice.  
WARRANTY: Stellar Technology warrants that its product shall be free from defective workmanship and/or material for a twelve month period from the date of shipment, provided that Stellar Technology's obligation hereunder shall be limited to correcting any defective material FOB our factory. No allowance will be made for any expenses incurred for correcting any defective workmanship and/or material without written consent by Stellar Technology. This warranty is in lieu of all other warranties expressed or implied.



ISO 9001/AS9100  
237 Commerce Drive • Amherst, NY 14228 • USA  
Tel: 716.250.1900 • Fax: 716.250.1909  
Web: stellartech.com • Email: info@stellartech.com

Due to the nature of technology, changes are inevitable. For latest technical specifications, see our website.

