

Series PNC720

Compression Pancake Load Cell

Standard Features

- Low Profile
Compression Pancake
- Welded Stainless Steel
- High Accuracy 0.10%
- Barometrically Compensated
- -65°F to 250°F Operation
- mV/V Output and Amplified Output Available



Standard Specifications

Performance

Capacities	100 lbs FSO to 120,000 lbs FSO (see table)
Output	3 mV/V \pm 0.50% FSO.
Linearity	0.10% FSO.
Hysteresis	0.08% FSO.
Repeatability	0.03% FSO.
Compensated Temperature Range	70°F to 170°F.
Operating Temperature Range	-65°F to 250°F.
Temperature Effect on Zero	0.002% FSO/°F.
Temperature Effect on Span	0.002% Reading/°F.
Zero Balance	1% FSO.
Bridge Resistance	350 Ohms nominal.

Mechanical Characteristics

Calibration	5 Points (0, 50%, 100%, 50%, 0) Compression.
Max. Overload	150% FSO.
Construction	Welded stainless steel.

Electrical Characteristics

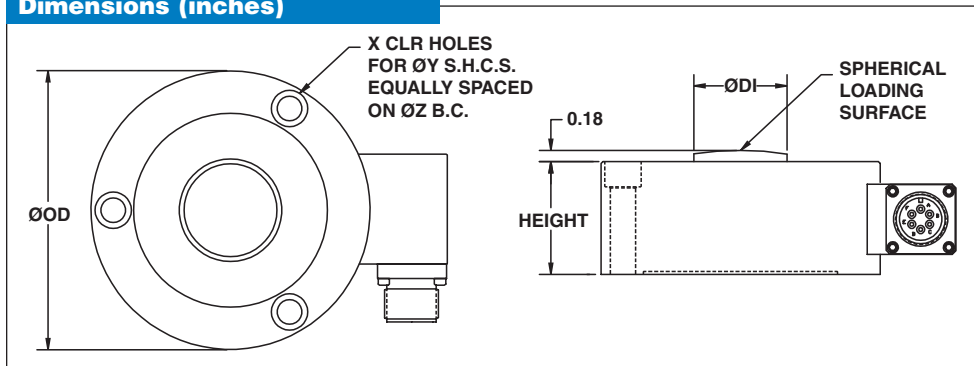
Excitation	10 Vdc or Vac.
Insulation Resistance	Greater than 5000 megaohms at 50 Vdc.
Electrical Termination	
Ranges Up To 5000 lbs.	PTIH-10-6P Stainless Steel Connector or equivalent.
Ranges Over 5000 lbs.	MS3102-14S-6P Stainless Steel Connector. (MIL-C-5015 with glass to metal seals)
Connector Pins	A +EXE D - EXE B +EXE E - SIG C - EXE F +SIG

PNC720

Series PNC720 Specifications

Baseline Configuration Specs Represented.
Modifications Encouraged - See Below
Custom Designs Available

Dimensions (inches)



Capacity (lbs.)	ØOD	Height	X	Y	Z	D1
100, 250, 500, 1000	3.00	1.00	6	1/4	2.250	0.56
2K, 3K, 5K	3.50	1.00	6	5/16	2.625	0.66
10K, 20K, 30K, 50K, 75K, 100K, 120K	4.50	1.82	3	3/8	3.790	1.50

Available Options

Compensated Temperature Ranges	From 70° to 170° F.
Operating Temperature Ranges	From -65° to 400° F.
Calibration	Additional calibration points (in addition to standard 5 points) available (Consult Factory) Special and custom calibration available (Consult Factory)
Amplifiers	Internal or In-Line (Consult Factory). • Analog (4-20 mA; 0-5 Vdc; 0-10 Vdc). • Digital (RS-232; RS-485; CANbus; MODbus).
Cable	Consult factory for available cables.
Cable Connector	Add a connector to the end of the cable. Consult factory for available connectors.
Connectors	Consult factory for available connectors. Standard connectors are all stainless steel, Gold plated pins are sealed with glass to metal. Connector is sealed to load cell with O-ring seal. Glass to metal hermetic seals available between bolt on connectors and load cell. All welded hermetic connectors available. Tangential connector orientation available.
Submersible	Operations up to 16,000 feet deep (salt water).
Overload Stops	Overload stops available up to 10X FSO depending on range.
Shock and Vibration	Special shock and vibration preparation allows use in the most demanding environments.
Custom Options	Other unlisted customer requested options welcome.

CE
0539

NOTES: When using a load cell the user must consider load ratings and fatigue life for long term use and structural integrity. Critical loading applications, especially overhead loading, must always be designed with safety redundant load paths. MODIFICATIONS: We realize load cell applications vary greatly and as such our designs are flexible. Specifications subject to change without notice.

WARRANTY: Stellar Technology warrants that its product shall be free from defective workmanship and/or material for a twelve month period from the date of shipment, provided that Stellar Technology's obligation hereunder shall be limited to correcting any defective material FOB our factory. No allowance will be made for any expenses incurred for correcting any defective workmanship and/or material without written consent by Stellar Technology. This warranty is in lieu of all other warranties expressed or implied.

Find More Information at:
stellartech.com

Due to the nature of technology, changes are inevitable. For latest technical specifications, see our website.

237 Commerce Drive • Amherst, NY 14228 • USA
Tel: 716.250.1900 • Fax: 716.250.1909
Email: info@stellartech.com

ISO 9001:2000
STI
STELLAR TECHNOLOGY
INCORPORATED