



**Precise Sensors**

*"Defining Higher Expectations"*

# Industrial Low Pressure Transmitter

Model **2300**

## Features

- NEMA 4/IP65 Enclosure
- One-piece Stainless Steel Wetted Parts
- Amplified Outputs
- Low Cost OEM
- Pressure Ranges 0-25, 50, 75 PSIG
- No "O" Rings, No Welds

## Applications

- Pneumatic Systems
- Energy & Water Management
- Pressure Instrumentation
- Refrigeration Equipment
- Diesel Fuel Management
- Automotive Test Systems
- Tank Level Metering



## Performance Specifications @ 77°F (25°C)

Pressure Ranges .....	0-25, 50, 75 PSIG
Accuracy (combined linearity, hysteresis, and repeatability) .....	± 0.50% of F.S. typical (< ± 1% of F.S. max.)
Media Compatibility .....	17-4 PH stainless steel (for other material consult factory)
Pressure Ports .....	1/4"-18 NPT male (for other ports consult factory)
Pressure Cycles.....	> 10 <sup>8</sup> full pressure cycles
Pressure Overload.....	2X rated pressure
Burst Pressure .....	10X or 500 psi (whichever is less)
Long Term Stability (1year) .....	± 0.50% F.S. typical

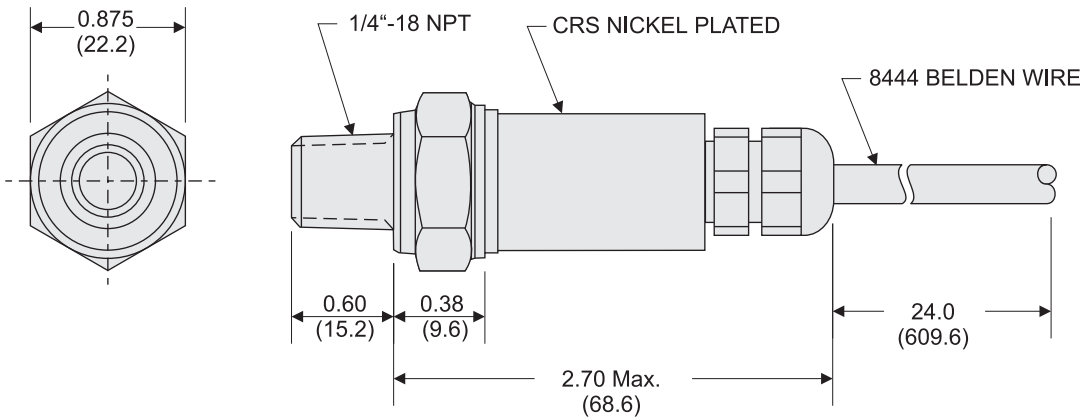
## Electrical Specifications

Supply Voltage .....	10-30 VDC
Supply Current .....	< 15ma
Outputs.....	1-5 VDC, fixed 4-20mA, two wire
Interface .....	2 ft. PVC jacketed cable (for other options consult factory)
Zero Offset .....	± 2% of F.S. span
Span Tolerance.....	± 2% of F.S. span
Output Load .....	5k Ohms min for high level voltage 0 Ohms @ 10V (1000 Ohms @ 30V) for 4-20mA
Response Time.....	2 milliseconds maximum
Noise.....	< 2mVRMS
Bandwidth (-3db) .....	DC to 1KHz typical

## Environmental Specifications

Operating Temperature Range.....	-4° to 185°F (-20° to 85°C) (for other ranges consult factory)
Compensated Temperature Range .....	32° to 130°F (0° to 55°C)
Zero Thermal Error .....	< ± 2% of F.S. span
Span Thermal Error .....	< ± 2% of F.S. span
Storage Temperature Range .....	-40° to 212°F (-40° to 100°C)
Shock .....	100G, 1/2 sine, 11msec
Vibration .....	10G, 20 to 2000Hz
Enclosure Rating .....	NEMA 4/IP65

## Mechanical Data



## Electrical Connections

Outputs:	<b>1-5 VDC</b>	<b>4-20mA</b>
	Red = + Supply	Red = + Supply
	Black = Ground	Black = Output
	White = Output	

Dimensions are in inches (mm). Specifications are subject to change without notice. 12 month warranty offered from date of shipment.

## Model 2300 Standard Variables

Electrical Output	Pressure Ranges
• Current 4-20mA	• 25, 50, 75 PSIG
• 1-5 VDC	• 1.7, 3.4, 5.2 BAR



**Precise Sensors, Inc.**

235 West Chestnut Avenue, Monrovia, CA 91016-3315  
626-358-4578 • 800-423-7123 • Fax 626-358-3546  
Website: <http://www.precisesensors.com>  
E-mail: [precise@earthlink.net](mailto:precise@earthlink.net)